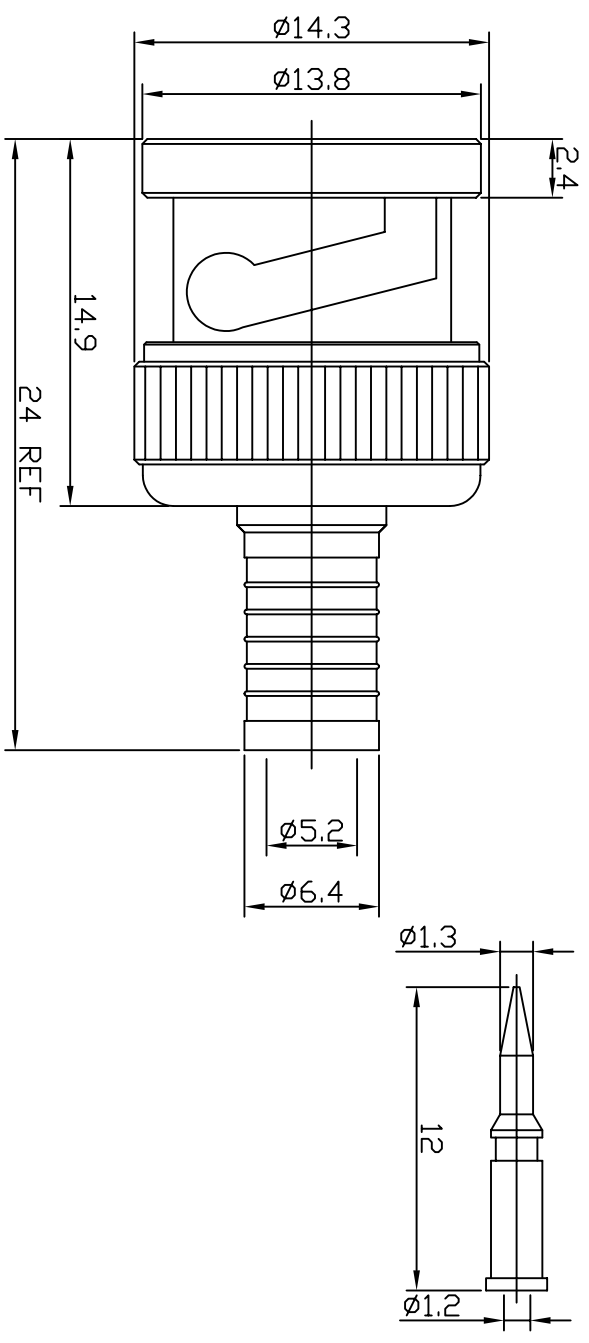
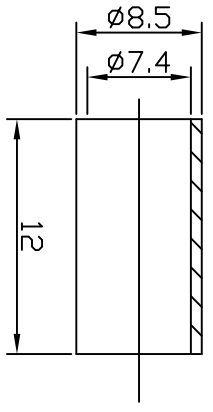


Rev	AWO #	Description	Date	Appr
-		RELEASED	8/19/05	

APPROVED: _____ TITLE: _____
 DATE: _____



NO	DESCRIPTION	MATERIAL	FINISH	QTY
3	SLEEVE	BRASS	NICKEL	1
2	CENTER CONTACT BODY	BRASS	GOLD	1
	WASHER	ZINC	NICKEL	1
	SPRING	IRON	NICKEL	1
	WASHER	65Mn	NONE	1
1	DUT CONTACT	ZINC	NICKEL	1
	RUBBER WASHER	PVC	NONE	1
	INSULATOR	PDM	NONE	1
	SHELL	ZINC	NICKEL	1



ELECTRICAL:
 Frequency range: 0-4 GHz
 Voltage rating: 500 Volts AC
 VSWR: 1.2 max 0-2 GHz
 Impedance: 75 OHMS
 Environmental:
 Lead free, RoHS compliant.



UNLESS OTHERWISE SPECIFIED
 ALL DIMENSIONS ARE INCHES [MM]
 TOLERANCES: EXCEPT AS NOTED

INCHES	HOLES
.X ± .10	Ø.X ± .10
.XX ± .020	Ø.XX ± .015
.XXX ± .015	Ø.XXX ± .010

APPROVALS

DATE	DATE
SS	8/19/05

DRAWN: SS
 CHECKED: _____
 APPROVED: _____

ADAM TECH
 909 Rahway Avenue, Union, NJ 07083
 Phone: 908-687-5000 Fax: 908-687-5710

BNC MALE CRIMP

SIZE	PART NO.	REV.
X	RF-1-03-D-05-75	

SCALE: NTS SHEET 1 OF 1